

CUBUSAN  
Real time protection.



**Cubusan CP70**  
Instruction manual

# Table of contents

<b>1</b>	<b>Preface</b> .....	<b>18</b>
1.1	Note on use .....	18
<b>2</b>	<b>Intended use</b> .....	<b>19</b>
<b>3</b>	<b>About this document</b> .....	<b>20</b>
3.1	Explanation of the symbols used in the manual .....	20
3.2	Statutory warranty and liability .....	20
<b>4</b>	<b>General data</b> .....	<b>21</b>
4.1	Safety basics .....	21
4.2	General safety instructions .....	21
4.3	Safety instructions for transportation .....	21
4.4	Safety instructions for maintenance, servicing, and troubleshooting .....	21
4.5	Storage .....	22
4.6	Views and design .....	22
<b>5</b>	<b>Use and operation</b> .....	<b>23</b>
5.1	Function .....	23
5.2	Commissioning .....	23
5.2.1	LED control factory setting .....	24
5.3	Site selection .....	24
5.4	Operation .....	25
<b>6</b>	<b>Care and maintenance</b> .....	<b>26</b>
6.1	Care .....	26
6.2	Inspection/refresh by the manufacturer .....	26
6.3	Clearing faults .....	26
<b>7</b>	<b>Appendix</b> .....	<b>28</b>
7.1	Technical data .....	28
7.2	Shut-down and disposal .....	28
7.3	Information regarding the EU declaration of conformity .....	28

# 1 Preface

This operating manual must be read by operating personnel and those responsible for the device before initial use. Damage caused by failure to follow the instructions herein will not be covered by the warranty.

Users of this device are required by law to comply with the respective national accident prevention regulations. Furthermore, this operating manual shall be treated confidentially. Only authorized persons shall be allowed access to it. It shall only be entrusted to third parties on written permission from WINTERSTEIGER.

All documents are protected under copyright. Distribution, reproduction, and utilization of documents and parts thereof, as well as communication of their contents, are not permitted unless authorized expressly and in writing. Infringements are liable to prosecution and will result in damage claims.

WINTERSTEIGER shall retain all rights to exercise industrial property rights.

## 1.1 Note on use

We expressly point out that the use of the Cubusan is only complementary to an effective hygiene concept and does not replace other hygiene measures.

When using the Cubusan, always observe the manufacturer's instructions for use and the specified minimum square meters per person without exception.

In particular, WINTERSTEIGER shall not be liable for damage caused by unsuitable or improper use, incorrect or negligent handling or storage. The Cubusan is designed in particular to prevent infections.

However, a risk of infection cannot be completely ruled out even when the Cubusan is used correctly. Further hygiene measures are especially necessary in the case of viruses that pose a high risk of infection, such as SARS-CoV-2.

In order to further reduce the risk of infection, ensure that the maximum number of persons in closed rooms is not exceeded.

There should be a maximum of one person per 3.5 m<sup>2</sup> room area (for example, 50 m<sup>2</sup> room area = maximum of 14 persons).

Furthermore, a minimum distance to other persons of at least 1.2 meters must be maintained.

## 2 Intended use

This device is intended for air purification with STEREX plasma technology for private and commercial use as well as in municipal and healthcare facilities.

The CUBUSAN CP-70 is designed to remove airborne bacteria, viruses, fungal spores, and odors; it is not suitable for removing harmful gases (such as carbon monoxide contained in cigarette smoke).

The CUBUSAN CP-70 is designed for placement on a flat surface as a upright unit or, if desired, for wall or ceiling mounting.

This device is intended solely for use in enclosed spaces.

Any use extending beyond this is deemed to be improper. The manufacturer is not liable for any damage resulting from improper use. The user takes full responsibility in such cases.

Appropriate usage also includes following the operating, maintenance and service stipulations set out by the manufacturer.

The applicable accident prevention regulations and other generally accepted safety and occupational health regulations shall also be adhered to.

Any changes to the device by the user renders manufacturer liability null and void with regards to any resulting damages.

We constantly try to improve our products and therefore reserve the right to make any changes or improvements we feel are appropriate. We are, however, not obligated to extend these changes or improvements to already delivered devices.

### Reasonably foreseeable misuse:

- Use in a potentially explosive atmosphere
- Environment with high dust and grease content in the indoor air
- Use and operation of the device without having read and understood the operating manual.
- Use of the product outside the specified limits (see technical data).

Original operating manual

© Copyright by

 WINTERSTEIGER

WINTERSTEIGER AG

A-4910 Ried/ I Dimmelstrasse 9

Tel. +43 7752 919-0

e-mail: [office@wintersteiger.at](mailto:office@wintersteiger.at)

## 3 About this document

This operating manual forms part of the device and helps users to familiarize themselves with the device and to work with it.

Damage caused by failure to follow the instructions herein will not be covered by the warranty. Users of this device are required by law to comply with the respective national accident prevention regulations.

The cleaning and maintenance section contains tips on how to keep the device fully operational for many years.

The operating manual also points out (potential) dangers.

All images, dimensions, and weight information in the operating manual are non-binding.

### 3.1 Explanation of the symbols used in the manual



**DANGER** indicates a hazard with a high degree of risk, which, if not prevented, will cause death or serious injury.



**WARNING** indicates a hazard with a medium degree of risk, which, if not prevented, could cause death or serious injury.



**CAUTION** describes a hazard with a low degree of risk, which, if not prevented, could result in a slight or moderate injury.



This symbol indicates special information on practical work or a general recommendation.



**Device damage!** This symbol indicates possible damage to / destruction of the product, the process and/or its surrounding area.

### 3.2 Statutory warranty and liability

Safe and fault-free operation of the device can only be ensured with Original WINTERSTEIGER spare parts and consumables recommended by WINTERSTEIGER.

Non-WINTERSTEIGER material is used at the owner's risk and is the responsibility of the operator. WINTERSTEIGER does not provide any warranty or guarantee and does not accept liability for damage or defects arising from the use of non-Wintersteiger material!

Furthermore, warranty claims are excluded if the parts affected by the defect or that caused the defect have been improperly modified, replaced, or repaired by the customer or a third party.

## 4 General data

- Operate the device as described in the operating manual.
- Never remove safety equipment or warnings.
- Never modify the device without the manufacturer's written approval.
- Extremely low or high temperatures can result in malfunctions or damage.
- The device must not be put into operation if any parts of it are faulty and safety cannot be guaranteed.
- Make sure that the device is not operated if exposed to strong magnetic fields, electrical currents, radiation, or strong vibrations.
- If the supply lines are damaged or the device is malfunctioning, it must be shut down immediately, even if it has been operated in accordance with the operating manual.
- Repair work must only be carried out by specialists authorized by the manufacturer.
- Modifications to the device are not permitted and would immediately render the guarantee and warranty void.

### 4.1 Safety basics

This device is constructed using the best possible technology according to accepted safety regulations. However, dangers for the user or third parties as well as damages to the device and other objects can occur if:

- the device is used for inappropriate purposes,
- the device is not properly maintained or repaired.

### 4.2 General safety instructions

- The device must not come into contact with water or excessive moisture during operation or storage ([see chapt. Technical data, page 28](#)).
- Any applicable accident prevention specifications and other generally accepted safety and medical regulations are to be obeyed.
- The device may only be used if it is in a flawless technical condition and only according to the intended use under consideration of safety aspects, potential dangers, and the operating manual. Faults that may affect safety must be immediately repaired!
- Never operate the device when using insect repellent or when it is in a room where there is oily residue, smoke from incense sticks, sparks from lit cigarettes, chemical vapors, or similar in the air; the same applies to rooms such as bathrooms where the device may become damp.
- Do not smoke in rooms where the CUBUSAN is in use.

### 4.3 Safety instructions for transportation

- Follow the pictograms on the packaging.
- Always ensure that the device is protected against vibration and impacts during transport.
- Report any transit damage and/or missing parts to the supplier without delay.

### 4.4 Safety instructions for maintenance, servicing, and troubleshooting

- Please adhere to the mandatory periods or periods listed in the operating instructions for recurring tests/inspections.
- Only qualified personnel may carry out repairs on the device.
- Ensure safe and environmentally sound disposal of operating and auxiliary materials as well as spare parts.



- Work on the electrical equipment of the device may only be performed by qualified electricians, in line with electro-technology rules. Only qualified electricians are permitted access to the device's electrical systems and may perform work on them.

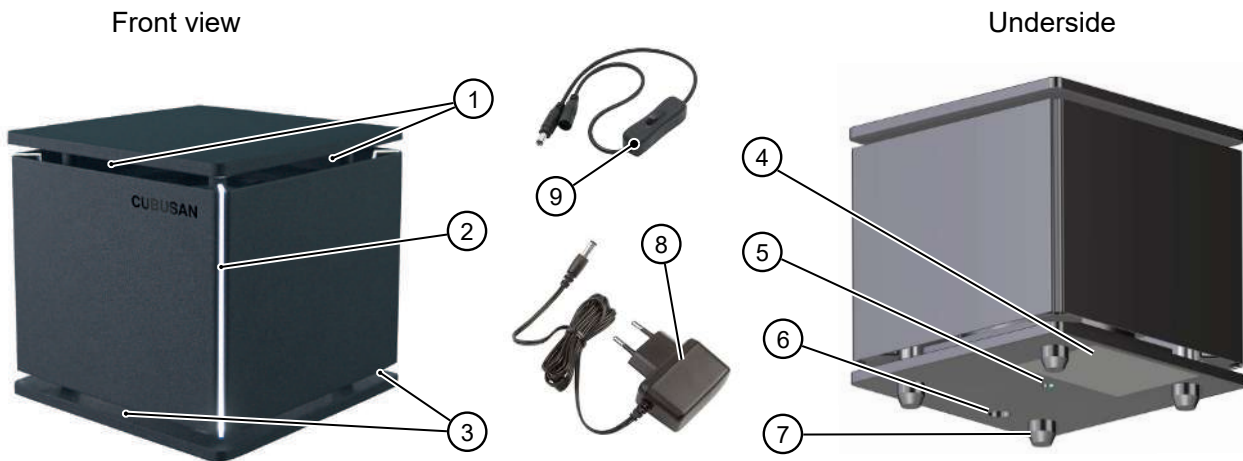
### 4.5 Storage

- Devices and components must not be stored outdoors.
- Store the device in its original packaging inside a building only, at a temperature of 5 °C to +30 °C and a maximum relative humidity of 60 %.

**! NOTE**

To avoid damage, never place any other packages or items on top of the packaged unit.

### 4.6 Views and design



1 Air outlet	5 Fixing for wall/ceiling mounting
2 Decorative lighting	6 Power adapter connection (grid adapter)
3 Air inlet	7 Adjustable feet
4 Type plate	8 Power adapter (grid adapter)
	9 Extension with ON/OFF switch

## 5 Use and operation

### 5.1 Function

- Make sure that sufficient fresh air is supplied to the room. The Cubusan is not a substitute for adequate ventilation and is not capable of reversing the conversion of oxygen (O<sub>2</sub>) to carbon dioxide (CO<sub>2</sub>) that occurs through breathing as well as through combustion processes.  
At least one full air exchange or more per hour is recommended. This can be as part of a continuous process involving a ventilation system or can be performed manually through correct 'rush airing' (for a maximum of five minutes every 30 minutes).
- The Cubusan with STEREX technology is an effective method of indoor air treatment and is harmless to human health.
- This technology is very environmentally friendly as no chemicals are required while the indoor air is being treated by the Cubusan.
- The Cubusan contains a plasma generator, which produces a mixture of air and cold atmospheric plasma through an electrophysical process. This contains various oxygen species, including highly reactive hydroxyl radicals. These are distributed evenly within the room by the built-in fan and react with the aerosols, killing germs, viruses, bacteria, and fungal spores contained in the air. The Cubusan is therefore able to eliminate up to 99.99 %\* of microorganisms in the air and thus also helps to remove bad odors.
- The plasma air mixture generated by the STEREX technology eliminates bacteria, viruses, germs, etc. that are in the air by 99.99 %. You can therefore be sure that the air in a 50 m<sup>2</sup> room (with a room height of approx. 2.5 m) will be cleaned after a short time.

\***The disinfection effect** during continuous operation of the device (>60 min; continuous disinfection) has therefore been proven to eliminate **up to 99.99 %** of microorganisms in efficacy classes A (native bacteria and fungi) and B (limited virucide, virucidal effect on enveloped viruses) of the RKI list in a test pursuant to EN14476.

### 5.2 Commissioning

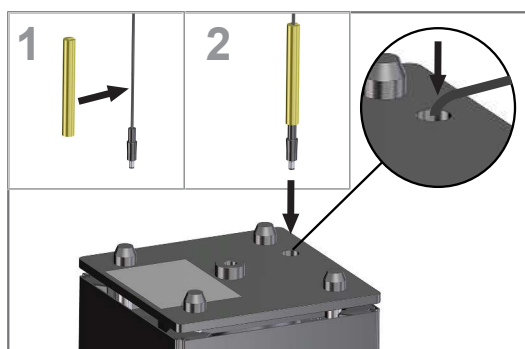


**CAUTION**

**Damage to the device can endanger your safety. Check it for visible damage. Never operate a damaged device.**

**The device may only be operated at the specified voltage. Use only the power adapter supplied.**

- Make sure that all the contents have been delivered and check for any visible damage. If there is any damage or if any parts are missing from the delivery, contact your retailer or the manufacturer.



- Before commissioning, remove all packaging and the protective film.
- Place the CUBUSAN on a soft surface with the underside facing upwards.
- Slide the supplied mounting aid over the cable of the power plug and push it together until it clicks into the connection socket of the CUBUSAN.
- Remove the mounting aid and turn the CUBUSAN so it is upright.
- Keep the mounting aid, the packaging, and the user manual for future transport and servicing purposes.





### Light Mesh LED control

- Scan the QR code on the top of the device to download the "Light Mesh" app.
- Install the "Light Mesh" app and establish a Bluetooth connection with the device.
- You can now set the brightness of the LED decorative lighting on the CUBUSAN CP-70 .



To operate the device at convenient operating times, we also recommend the optional WLAN connector.

## 5.2.1 LED control factory setting

### Resetting the LED control to the factory setting

You can reset the LED control to its factory settings by performing the steps below in the following order.

1. Leave the CUBUSAN switched on for more than 30 seconds and then disconnect the power supply.
2. Switch on the power supply of the CUBUSAN continuously and disconnect the power supply within 3 seconds of switching it on.
3. Repeat step 2 twice.
4. Switch on the power supply of the CUBUSAN for approx. 10 seconds (8-12 seconds), then disconnect the power supply.
5. Repeat step 4.

When you next switch on the device, the LED control in the CUBUSAN will be reset to the factory setting.

## 5.3 Site selection

**For optimum operation of the device, an ambient temperature of 18°C bis 24°C at medium dust concentration is recommended. Recommended room size for the CUBUSAN CP-70: 70 m<sup>3</sup> (corresponds to approx. 28 m<sup>2</sup> at 2.5 m room height).**

- Place the device on a stable surface and at a minimum distance of 15 cm from the nearest vertical surface, such as a wall or cabinet with sufficient air supply.
- Do not position the device directly next to a stove, a heater, or near a window with direct sunlight.
- The device must not be operated outdoors or in explosion-risk areas.
- Do not position the device near a humidifier.
- A suitable mounting plate is required for wall or ceiling mounting. If desired, this can be obtained from WINTERSTEIGER.
- Do not use the device within reach of children. The device must be at least 1 meter above the floor.
- Before moving the CUBUSAN , unplug the power adapter.



**The best result is achieved when the CUBUSAN is placed centrally in the room. The more centrally the CUBUSAN is positioned, the more even the distribution. For high rooms, rooms over 70 m<sup>3</sup> , or rooms with strong ventilation, the use of several air purifiers may be necessary. We recommend discussing this with the manufacturer. The air exchange per hour should not be more than 4 times the air in the room.**

## 5.4 Operation

The CUBUSAN has several openings/slits for the air inlet/air outlet, which must not be covered under any circumstances. Make sure that none of these openings are covered during installation. Keep a distance of 150 mm between the openings and any objects on all sides so that the device can blow out air freely.

1. Plug the cable of the power adapter output into the bottom of the CUBUSAN CP-70 and the power adapter into an outlet (see [chapt. Commissioning, page 23](#)).
2. Switch on the device at the on/off switch.
3. The fan in the device starts to work and sucks in air, which is disinfected and freed from odors with the help of the STEREX technology. The decorative lighting on the corners of the CUBUSAN CP-70 lights up permanently.
4. Set the brightness of the decorative lighting using the "Light Mesh" app (see [chapt. Commissioning, page 24](#)).
5. Switch off or unplug the device as necessary.



**Ideally, plug in the device at least 1 hour before you want to disinfect the air.  
A smell of freshness can be detected when the device is being properly operated.**

## 6 Care and maintenance

**⚠ WARNING Risk of injury!**

Servicing and maintenance work may only be carried out by people who have received proper training and instructions. Before carrying out maintenance, setting, repair, or cleaning work, ensure that the device is switched off and disconnected from the power supply.

### 6.1 Care

**! NOTE** To avoid damaging the surfaces, do not use rough sponges or abrasive cleaning agents when cleaning the device. Do not insert any objects into the openings of the air inlet or air outlet. This could damage the device.

- Clean the outside of the device with a slightly damp (NOT wet) soft microfiber cloth. Do not use solvents or organic cleaning fluids. The additives of a cleaning agent could damage the surface of the device.
- Carefully clean the air inlet and outlet with a vacuum cleaner attachment or soft brush.

### 6.2 Inspection/refresh by the manufacturer

- The Cubusan is equipped with a maintenance-free fan motor.
- Under normal use, the device does not require any special maintenance! We recommend that the plasma unit is inspected/refreshed by the manufacturer after 25,000 operating hours\*.  
\*(with average use: 8 hrs/day x 365 days = 25,000 hrs = 8.5 years)

**ℹ INFO** Depending on the operating environment, and especially when the device is used in extreme conditions, the performance of the STEREX plasma unit may reduce in a shorter time than originally anticipated. If there is no longer any noticeable air purification, the device should be checked by the dealer or by the manufacturer.

### 6.3 Clearing faults

**⚠ CAUTION** Disconnect the device from the power supply before performing maintenance and repair work!

Fault	Cause	Elimination
1) No fan noise and no device lighting after the device has been put into operation	No line voltage at the outlet	Check outlet and power supply
	Power adapter not plugged in correctly	Plug in the power adapter correctly
	Power supply connector on CUBUSAN not plugged in correctly	Connect the power supply to the device properly (see <a href="#">chapt. Site selection, page 24</a> )
	Power supply cable damaged	Replace power adapter
2) No device lighting after the device has been put into operation, but fan noise and air flow are present	Power adapter faulty	Replace power adapter
	Lighting faulty	Have the device checked/repared by the manufacturer

Fault	Cause	Elimination
3) No air coming out of the air outlet, fan noise present and device lighting working	Air intake blocked	Check that all packaging materials have been removed and that there are no foreign bodies at/in the air inlet (at the bottom, all round the device)
	Air outlet blocked	Check that all packaging materials have been removed and that there are no foreign bodies at/in the air outlet (at the top, all round the device)
	Device is being operated in a location that does not comply with the specifications	Position the device in a suitable location (see <a href="#">chapt. Site selection, page 24</a> )
	Fan defective	Have the device checked/repared by the manufacturer
4) Odor in room	Insufficient supply of fresh air to the room	Increase the fresh air supply to the ventilation system or manually ventilate the room more regularly (see <a href="#">chapt. Site selection, page 24</a> ) If this does not resolve the problem, have the device checked by the manufacturer.

## 7 Appendix

### 7.1 Technical data

Type	CUBUSAN CP-70
Dimensions (WxHxD)	190 x 190 x 190 mm
Weight	8,5 kg
Operating voltage	220 - 240V AC, 50 Hz
Connected load	max. 25,2 Watt
Protection class	IP20
Recommended room size per device min./max.	70 m <sup>3</sup> (corresponds to approx. 28 m <sup>2</sup> at 2.5 m room height)
Noise level	23 dB(A)
Ideal ambient temperature	18°C bis 24°C
Ambient temperature min./max.	15°C bis 28°C
Ideal humidity	40% bis 60% rel.
Humidity min./max.	10% bis 60% rel.
Transport and storage conditions	5°C bis 30°C, max. 60% rel.

### 7.2 Shut-down and disposal



In accordance with the requirements of the European Directive 2012/19/EC on waste electrical and electronic equipment (WEEE), this device must not be disposed of with household waste. Similarly, this also applies to countries outside the EU according to the applicable national regulations.

- Dispose of this device in accordance with local regulations in a separate collection for electrical and electronic equipment.

If you have any questions, please contact the relevant authority or the dealer from whom you purchased this device.

If the device is passed on (e.g., for continued private or commercial/industrial use), this regulation must be passed on accordingly.

### 7.3 Information regarding the EU declaration of conformity

This product complies with the applicable EU regulations and directives. The full, original declaration of conformity can be obtained from WINTERSTEIGER.

WINTERSTEIGER AG  
4910 Ried/Innkreis  
Dimmelstraße 9  
AUSTRIA